

Accessories for RL-60R,
RL-60LR and RL-61



WAC-40

Connect the WAC-40 to your dehumidifier
when wet air cannot be ducted out

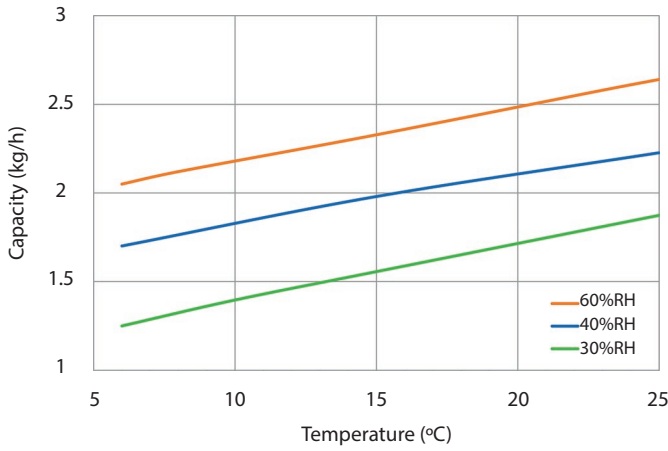
- Wet air condenser
- Control and electric supply from the dehumidifier
- No heat loss, heat stays in the room in form of heated cooling air and dried process air
- Easy removable heating exchanger for maintenance
- Quick installation
- Options:
 - Duct connection with damper between dehumidifier and WAC



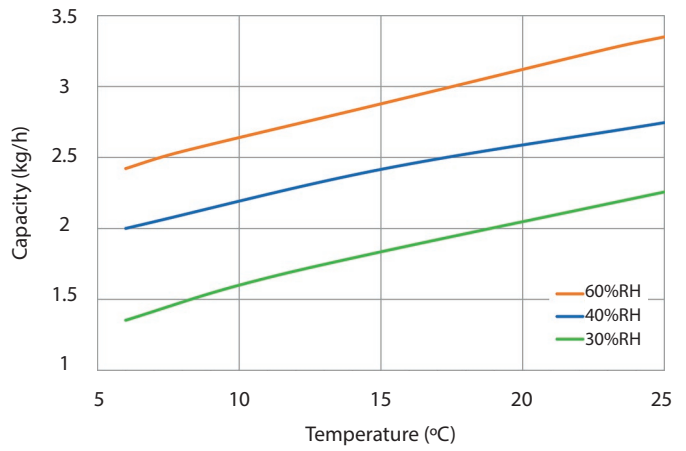
World leaders in dehumidification.

CORRECTION DIAGRAM

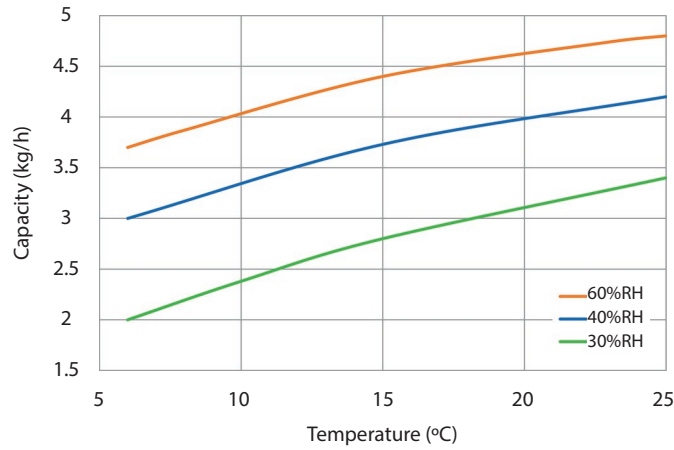
RL-60R WAC-40



RL-60LR WAC-40

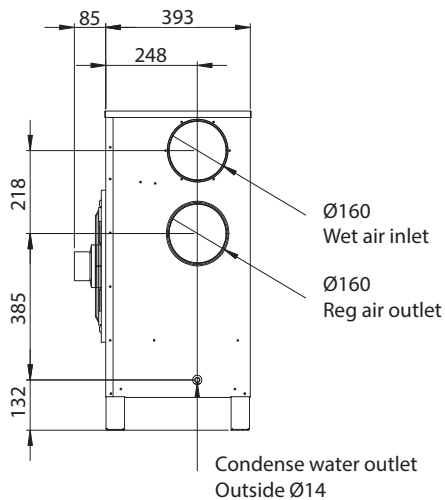


RL-61 WAC-40

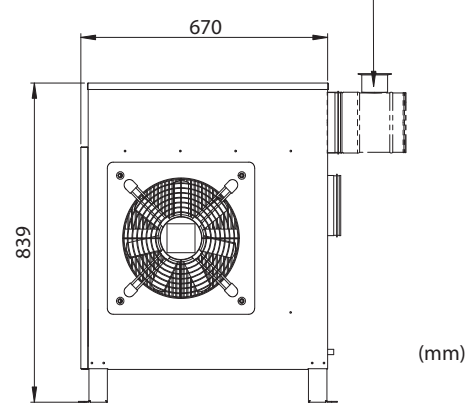


DIMENSIONS

Subject to change without notice. Download installation drawing at www.dst-sg.com



Recommended option: Wet air damper to create suction pressure in the WAC



Updated 19.01



Sweden | +46 8 445 77 20
 info@dst-sg.com | www.dst-sg.com