

Electronic humidistat EH4B

- Three step humidistat with fast response digital sensor
- Three independent volt-free control relays
- Visible "High RH" alarm
- Temperature indication and control
- Possible to use also for humidification

Three closing contacts: Three independently programmable relays with adjustable hysteresis. Possible to use for both dehumidification and humidification. Suitable for two step control of dehumidifier and one step for alarm or one step for dehumidification, one step for humidification and one step for temperature control.

Display and diodes: High visibility RH & °C display (15 mm). Neon lamps indicate relay operation. Display flashes if 'High RH' set point is exceeded or sensor is disconnected.

Sensor: Possible to assemble on wall or in duct. Fast response type moisture & temperature sensor. Factory calibrated (accuracy $\pm 2\%RH$ and $\pm 0,5\text{ }^\circ C$).

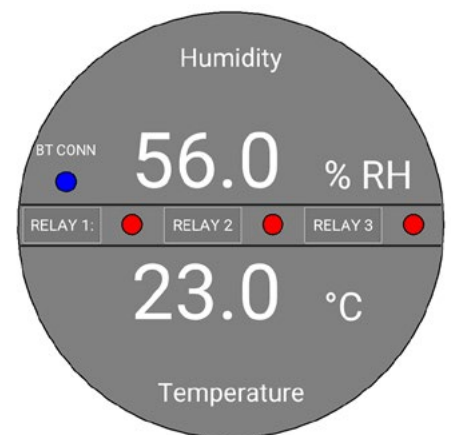
Optional: Bluetooth communication (range 30 meters). Controlled via free mobile app (iOS and Android).



HOME MENU DEVICES

Unit:

EH4B-RA
Device #1234



Relative Humidity %RH	Temp °C	Dew Point °C	Absolute Humidity g/kg
56	23	13,7	9,8



World leaders in dehumidification.

EH4B BOX

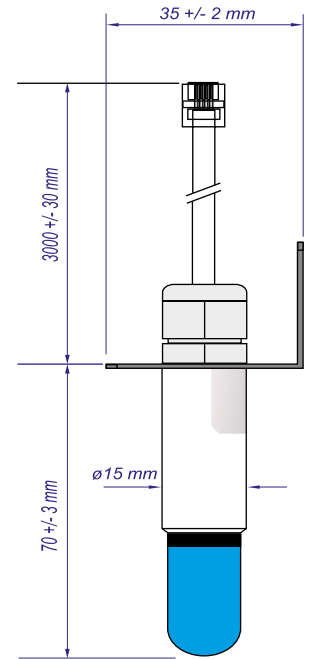
- Dimensions:** Height: 100 mm, depth: 60 mm, width: 100 mm.
- Display:** 1 row LED.
- Programming:** Four push-buttons for programming.
- Protection Class:** IP44.
- Weight:** 0.3 kg.
- Mounting:** 4 screw holes, Ø4 mm, towards the wall.
- Option:** Separate display box with 25 m or 50 m low voltage cable. IP65 duct sensor can also be mounted on wall. Cable with amphenol plug to control single phase dehumidifier. combined with supply to the EH4.

SENSOR

- Measuring range:** 0-99%RH (non condensing).
- Accuracy:** $<\pm 2\%$ RH in the full measuring range, 0,5 °C.
- Mounting:** Wall or duct assembly.
- Sensor type:** Room sensor, 3 m sensor cable.
- Cable length:** 3 m.
- Sensor protection:** Sintered plastic filter G1/8".

CONNECTIONS & PROGRAMMING

- 2 separate relays:** Potential free, max 230Vac 16A each.
- Visual alarm:** Display starts blinking when set value is reached.
- Cable size:** Maximum 1x1.5 mm 2 per terminal.
- Supply:** 230Vac standard, 115Vac also available, 50-60 Hz (cable not included).



EH4B and standard room sensor IP44.

Room sensor: low voltage 3 m.

Optional: 25 m low voltage RJ9 extension cable (50 m maximum)

