

# Dehumidifier Consorb **CZ-82, -102, -102L, -104 ICE**



*Dehumidifying capacity at 20°C / 60%RH*

**23.5 - 69 kg/h**

*Dry air flow*

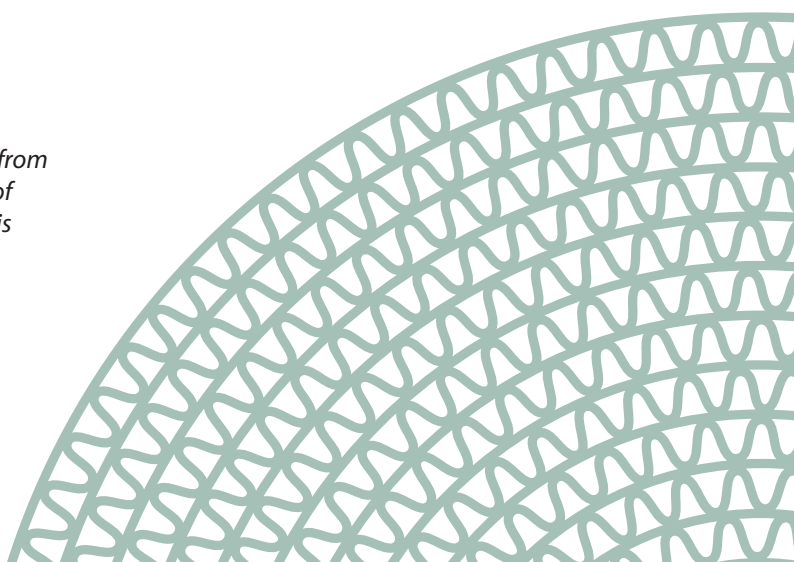
**8000 - 12000 m<sup>3</sup>/h**

- Highly efficient D-MAX rotor
- No desiccant carry-over
- Suitable for high ambient water contents
- Long lifetime
- Process fan equipped with frequency converter as standard
- High dehumidifying capacity at low moisture contents



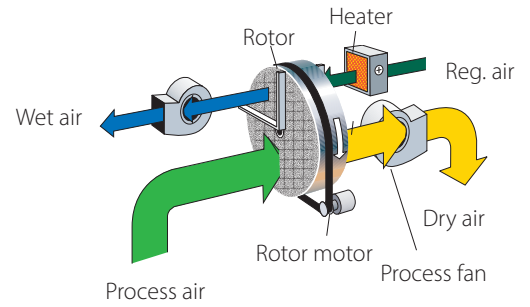
*Section of a dehumidifier rotor from Seibu Giken. The high number of channels means that moisture is adsorbed with extra efficiency.*

*World leaders in dehumidification.*



# TECHNICAL DATA

Dehumidifier model ICE	CZ-82	CZ-102	CZ-102L	CZ-104
Nominal capacity <sup>1</sup> (kg/h)	23	39	55	69
Dry air flow <sup>2</sup> (m <sup>3</sup> /h)	8000	12000	12000	10000
at static pressure (Pa)	200	200	200	200
Wet air flow <sup>2</sup> (m <sup>3</sup> /h)	850	1400	2000	2500
at static pressure (Pa)	200	200	200	200
Heater power <sup>3</sup> (kW)	30	50	74	95
Max. electric consumption (kW)	36.6	59	83.7	106.5
Supply fuse 3x400V 50Hz (A)	63	100	160	200
Weight (kg)	300	380	400	560



<sup>1</sup> Valid for inlet conditions 20°C/60%RH. For other inlet conditions the capacity can be calculated by using the diagram shown below.

<sup>2</sup> Volume flow for density 1.20 kg/m<sup>3</sup>.

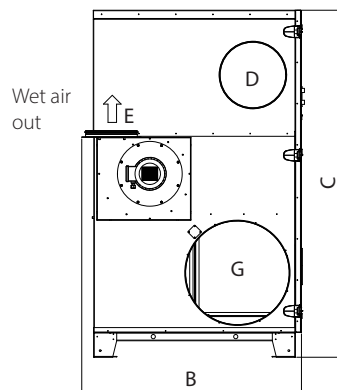
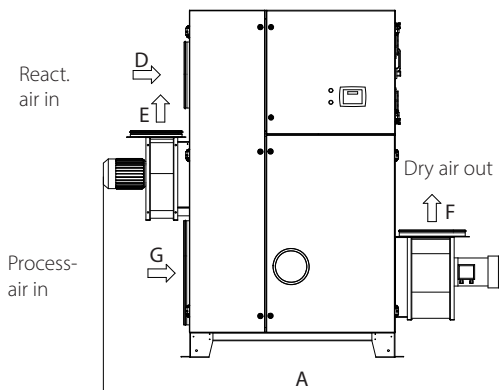
<sup>3</sup> Electric reactivation heater is standard. Steam and hot water is optional.

# CAPACITY TABLE

Capacity (kg/h)	10°C			15°C			20°C		
	30%RH	50%RH	70%RH	30%RH	50%RH	70%RH	30%RH	50%RH	70%RH
<b>CZ-082 ICE</b>	15.0	19.0	22.0	17.0	21.0	23.0	18.5	22.0	23.5
<b>CZ-102 ICE</b>	24.0	32.0	36.0	28.0	35.0	39.0	31.0	37.0	39.0
<b>CZ-102L ICE</b>	27.0	40.0	49.0	34.0	47.0	54.0	40.0	51.0	55.0
<b>CZ-104 ICE</b>	25.0	41.0	57.0	34.0	55.0	67.0	46.0	64.0	69.0

# DIMENSIONS

Subject to change without notice. Download installation drawing at [www.dst-sg.com](http://www.dst-sg.com)



	82	102	102L	104
CZ	82	102	102L	104
A	2485	2680	2615	2915
B	1060	1265	1265	1265
C	1905	2105	2105	2105
D	Ø250	Ø400	Ø400	Ø400
E	Ø160	Ø315	Ø315	Ø315
F	786X306	880X338	880X338	880X338
G	Ø400	Ø630	Ø630	Ø630

Updated 18.12



Sweden | +46 8 445 77 20  
info@dst-sg.com | www.dst-sg.com